



www.stustrailers.com

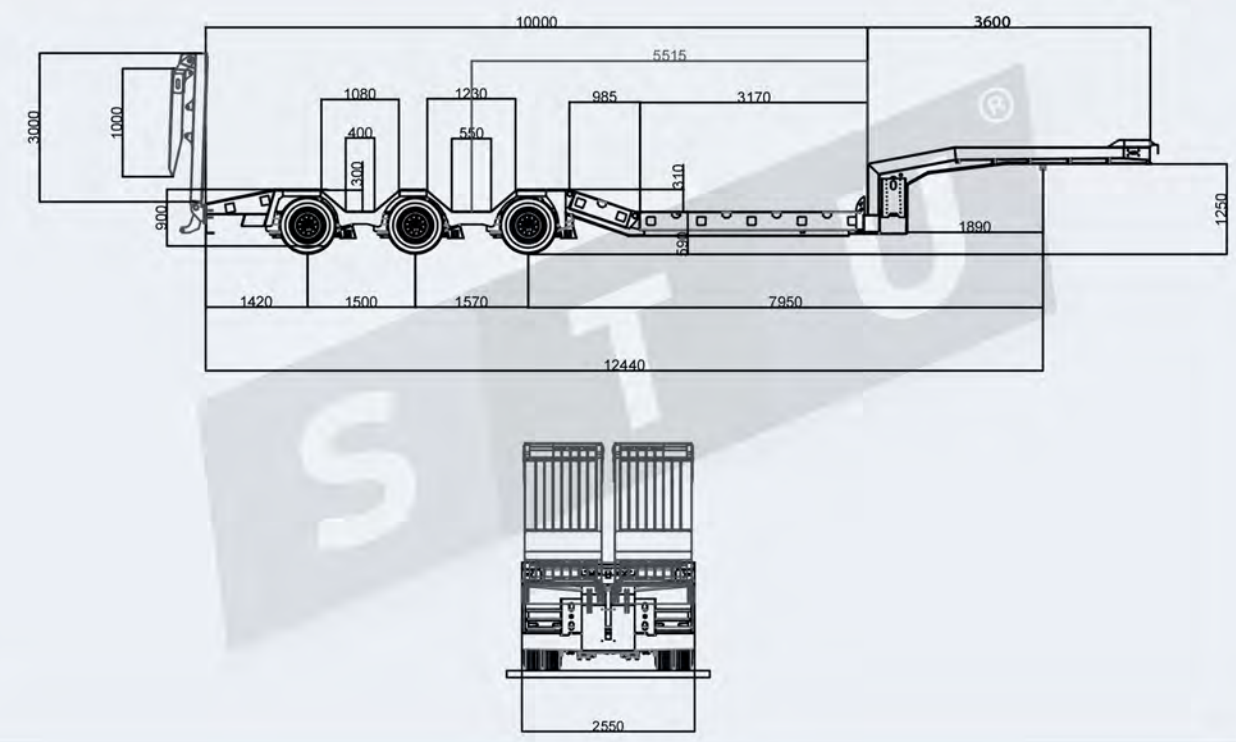
LOWBED TRAILER

CONVOI
EXCEPTIONNEL

WITH WIDE HYDRAULIC RAMPS 3 AXLE LOWBED



TECHNICAL DRAWING



SPECIFICATIONS

CHASSIS and STRUCTURE : S355JS+N Steel grade or Strenx™ 700E (MC700) and with last tech synergic automatic welding machines are using on our production.

AXLE : 3 x 9 Tons or 3 x 12 Tons Capacity 17,5" Jumbo Axle, First Axle Liftable, Last axle self steering.

LOADING RAMP : 2 x Hydraulic Ramp: moving outside 25 cm from outer of the lowbed, It's powered with and separate with power pack that connected to Truck battery

SUSPENSION SYSTEM : Air Suspension System
TIRES AND RIMS : 235/65 R17.5" or 245/70 R17.5" size 12 units tubeless tires

ELECTRICAL SYSTEM :
 Dynamic LED Light 24V electrical system
 4 x Red+White Expanding to Sides Heavy Loading Reflectors: Front and Back side
 6 x Led Working Lamps on right and left side and back side, 1 Emergency Turning Lamp

BRAKE EQUIPMENT : 4S-3M Knorr or Wabco Brand EBS system to be fitted on trailers
KING PIN : DIN 74080 standards 2" or 3,5" king pin detachable from below made by SAE standards E certificate. (Extra one more spare part)

PARKING LEGS : Front Jack feet are telescopic, parallel working, double speed jointed with wide shoes static 50 tons, dynamic 25 tons capacity. Manual or Hydraulic Supporter Landing Legs on rear under chassis for loadings

PAINT and COLOR:
First Step : Sand Blasting all surface
First Layer : Barrier™ 80 (%80 Zinc-Reach) Coating Double Times - C5 (ISO 12944-2)
Second Layer : Epoxy Coating
Third Layer : Brand Premium Acrylic Paint
Fourth Layer : 2K Super Clear Coating for Protection and Shine (95-110 GU) 60 Degree
 Color of the trailer will be RAL.....
 On platform anti slip painting

ACCESSORIES & OPTIONS:
 Control Panel for lights and suspension
 2 x 7 Widening Brackets, 2 x Bike safety bar, Gooseneck completely with chequered steel, 14 x 10 tons chain rings, 14 x Chain Rings On Platform Sides, 1 Tool box on the gooseneck, 1 Toolbox On Right, 1 Toolbox on Left Side, Beech Tree Wood on platform, 45 Degrees on Gooseneck Corner , Galvanized Small Parts, Anti-Spray Mudguards, 2 x Wheel Wedges

DETAIL PICTURES



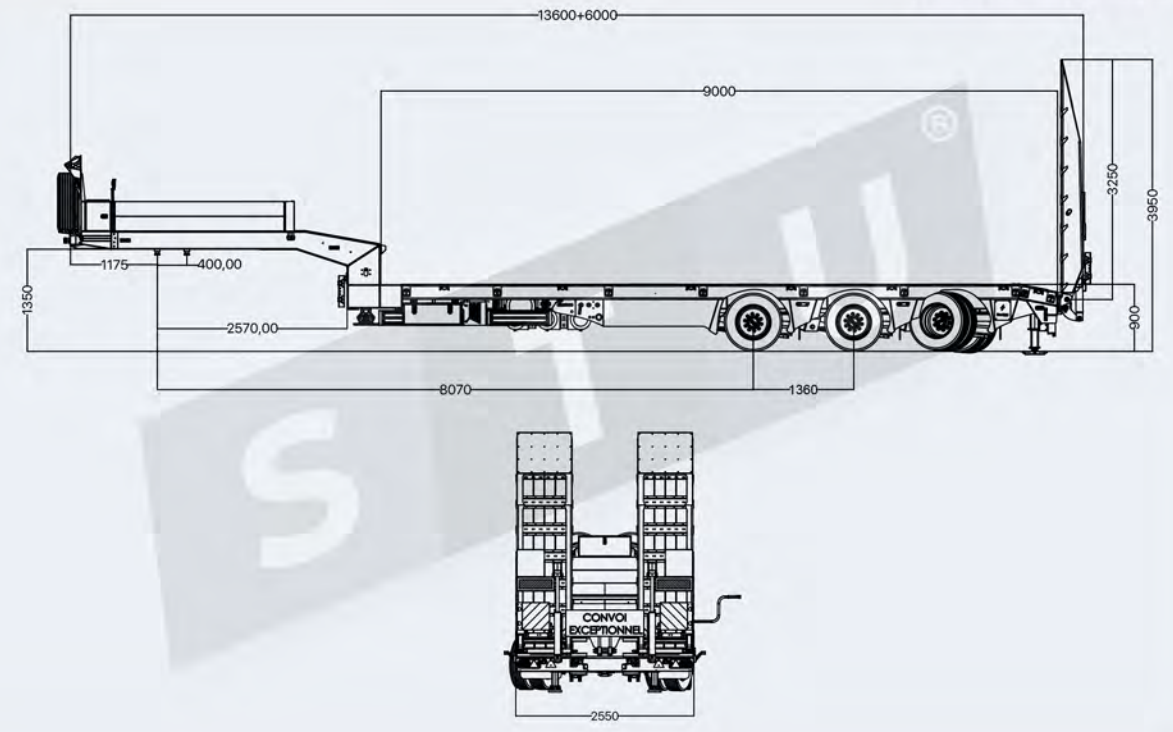
sales@stutrailer.com



3 AXLE EXTENDABLE LOWBED



TECHNICAL DRAWING



SPECIFICATIONS

CHASSIS and STRUCTURE : S355JS+N Steel grade or Strenx™ 700E (MC700) and with last tech synergic automatic welding machines are using on our production. Extension will be 6 meter with movable 500mm saddle and every 500 mm there will be locking point. Extensions made with Strenx 700MC steel grade.

AXLE : 3 x 9 Tons or 3 x 12 Tons Capacity 17,5" Jumbo Axle, First Axle Liftable, Last axle self steering.

LOADING RAMP : 2 x Hydraulic Ramp: moving outside 25 cm from outer of the lowbed, It's powered with and separate with power pack that connected to Truck battery

SUSPENSION SYSTEM : Air Suspension System

TIRES AND RIMS : 235/65 R17.5" or 245/70 R17.5" size 12 units tubeless tires

ELECTRICAL SYSTEM :

Dynamic LED Light 24V electrical system
4 x Red+White Expanding to Sides Heavy Loading Reflectors: Front and Back side
6 x Led Working Lamps on right and left side and back side, 1 Emergency Turning Lamp

BRAKE EQUIPMENT : 4S-3M Knorr or Wabco Brand EBS system to be fitted on trailers

KING PIN : DIN 74080 standards 2" or 3,5" king pin detachable from below made by SAE standards E certificate. (Extra one more spare part)

PARKING LEGS : Front Jack feet are telescopic, parallel working, double speed jointed with wide shoes static 50 tons, dynamic 25 tons capacity. Manual or Hydraulic Supporter Landing Legs on rear under chassis for loadings

PAINT and COLOR:

First Step : Sand Blasting all surface
First Layer : Barrier™ 80 (%80 Zinc-Reach) Coating Double Times - C5 (ISO 12944-2)
Second Layer : Epoxy Coating
Third Layer : Brand Premium Acrylic Paint
Fourth Layer : 2K Super Clear Coating for Protection and Shine (95-110 GU) 60 Degree
Color of the trailer will be RAL.....
On platform anti slip painting

ACCESSORIES & OPTIONS:

Control Panel for lights and suspension
2 x 7 Widening Brackets, 2 x Bike safety bar, Gooseneck completely with chequered steel,
14 x 10 tons chain rings, 14 x Chain Rings On Platform Sides, 1 Tool box on the gooseneck, 1 Toolbox On Right, 1 Toolbox On Left Side, Beech Tree Wood on platform, 45 Degrees on Gooseneck Corner , Galvanized Small Parts, Anti-Spray Mudguards, 2 x Wheel Wedges

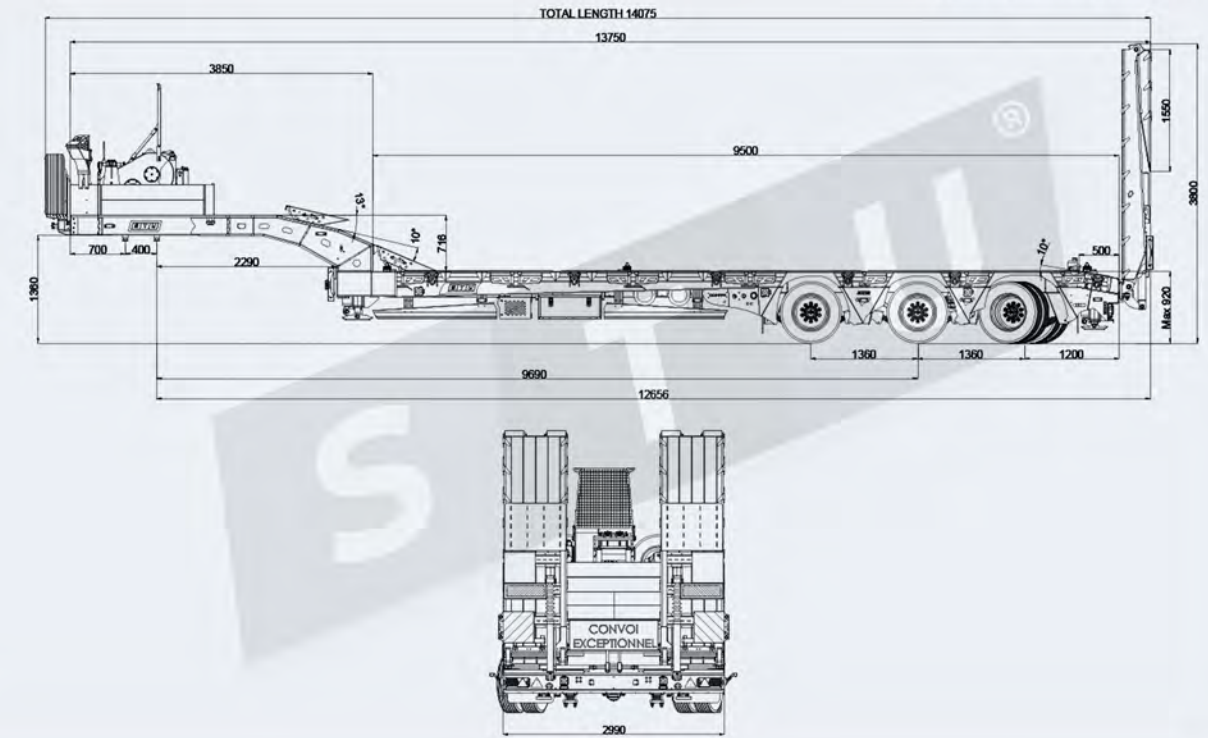
DETAIL PICTURES



3 AXLE LOWBED



TECHNICAL DRAWING



SPECIFICATIONS

CHASSIS and STRUCTURE : S355JS+N Steel grade or Strenx™ 700E (MC700) and with last tech synergic automatic welding machines are using on our production.

AXLE : 3 x 9 Tons or 3 x 12 Tons Capacity 17,5" Jumbo Axle, First Axle Lifiable, Last axle self steering with air suspensions or mechanic leaf spring suspensions.

LOADING RAMP : 2 x Hydraulic Ramp: moving outside 25 cm from outer of the lowbed, It's powered with and separate with power pack that connected to Truck battery

SUSPENSION SYSTEM : Air Suspension System
TIRES AND RIMS : 235/65 R17.5" or 245/70 R17.5" size 12 units tubeless tires

ELECTRICAL SYSTEM :
 Dynamic LED Light 24V electrical system
 4 x Red+White Expanding to Sides Heavy Loading Reflectors: Front and Back side
 6 x Led Working Lamps on right and left side and back side, 1 Emergency Turning Lamp

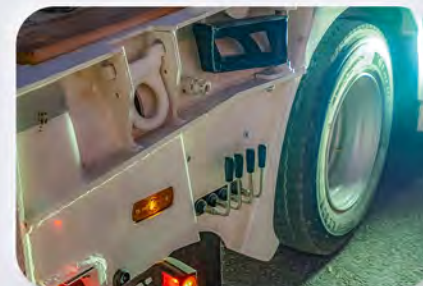
BRAKE EQUIPMENT : 4S-3M Knorr or Wabco Brand EBS system to be fitted on trailers
KING PIN : DIN 74080 standards 2" or 3,5" king pin detachable from below made by SAE standards E certificate. (Extra one more spare part)

PARKING LEGS : Front Jack feet are telescopic, parallel working, double speed jointed with wide shoes static 50 tons, dynamic 25 tons capacity. Manual or Hydraulic Supporter Landing Legs on rear under chassis for loadings

PAINT and COLOR:
First Step : Sand Blasting all surface
First Layer : Barrier™ 80 (%80 Zinc-Reach) Coating Double Times - C5 (ISO 12944-2)
Second Layer : Epoxy Coating
Third Layer : Brand Premium Acrylic Paint
Fourth Layer : 2K Super Clear Coating for Protection and Shine (95-110 GU) 60 Degree
 Color of the trailer will be RAL.....
 On platform anti slip painting

ACCESSORIES & OPTIONS:
 Control Panel for lights and suspension
 2 x 7 Widening Brackets, 2 x Bike safety bar, Gooseneck completely with chequered steel,
 14 x 10 tons chain rings, 14 x Chain Rings On Platform Sides, 1 Tool box on the gooseneck, 1 Toolbox On Right, 1 Toolbox On Left Side, Beech Tree Wood on platform, 45 Degrees on Gooseneck Corner , Galvanized Small Parts, Anti-Spray Mudguards, 2 x Wheel Wedges

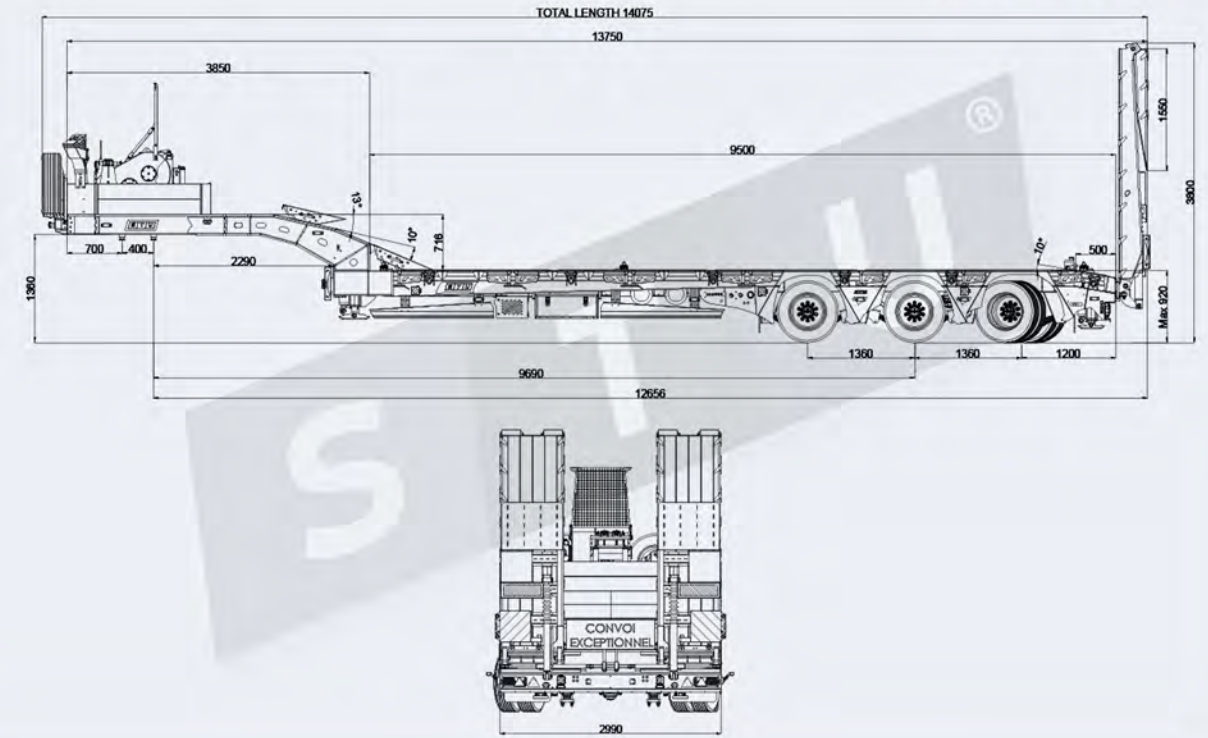
DETAIL PICTURES



3 AXLE LOWBED



TECHNICAL DRAWING



SPECIFICATIONS

CHASSIS and STRUCTURE : S355JS+N Steel grade or Strenx™ 700E (MC700) and with last tech synergic automatic welding machines are using on our production.

AXLE : 3 x 9 Tons or 3 x 12 Tons Capacity 17,5" Jumbo Axle, First Axle Lifiable, Last axle self steering with air suspensions or mechanic leaf spring suspensions.

LOADING RAMP : 2 x Hydraulic Ramp: moving outside 25 cm from outer of the lowbed, It's powered with and separate with power pack that connected to Truck battery

SUSPENSION SYSTEM : Air Suspension System
TIRES AND RIMS : 235/65 R17.5" or 245/70 R17.5" size 12 units tubeless tires

ELECTRICAL SYSTEM : Dynamic LED Light 24V electrical system
 4 x Red+White Expanding to Sides Heavy Loading Reflectors: Front and Back side
 6 x Led Working Lamps on right and left side and back side, 1 Emergency Turning Lamp

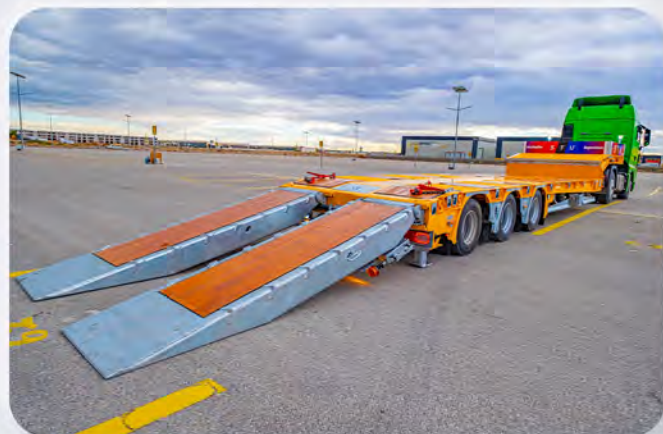
BRAKE EQUIPMENT : 4S-3M Knorr or Wabco Brand EBS system to be fitted on trailers
KING PIN : DIN 74080 standards 2" or 3,5" king pin detachable from below made by SAE standards E certificate. (Extra one more spare part)

PARKING LEGS : Front Jack feet are telescopic, parallel working, double speed jointed with wide shoes static 50 tons, dynamic 25 tons capacity. Manual or Hydraulic Supporter Landing Legs on rear under chassis for loadings

PAINT and COLOR:
First Step : Sand Blasting all surface
First Layer : Barrier™ 80 (%80 Zinc-Reach) Coating Double Times - C5 (ISO 12944-2)
Second Layer : Epoxy Coating
Third Layer : Brand Premium Acrylic Paint
Fourth Layer : 2K Super Clear Coating for Protection and Shine (95-110 GU) 60 Degree
 Color of the trailer will be RAL.....
 On platform anti slip painting

ACCESSORIES & OPTIONS:
 Control Panel for lights and suspension
 2 x 7 Widening Brackets, 2 x Bike safety bar, Gooseneck completely with chequered steel,
 14 x 10 tons chain rings, 14 x Chain Rings On Platform Sides, 1 Tool box on the gooseneck, 1 Toolbox On Right, 1 Toolbox on Left Side, Beech Tree Wood on platform, 45 Degrees on Gooseneck Corner , Galvanized Small Parts, Anti-Spray Mudguards, 2 x Wheel Wedges

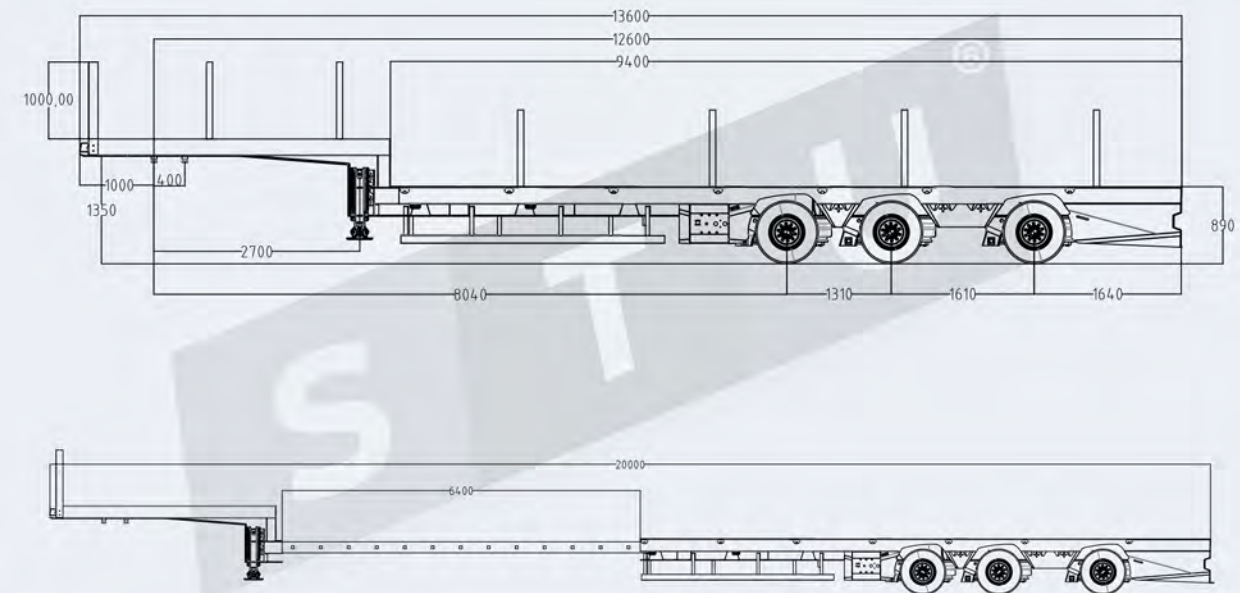
DETAIL PICTURES



3 AXLE EXTENDABLE STEP DECK LOWBED



TECHNICAL DRAWING



SPECIFICATIONS

CHASSIS and STRUCTURE : S355JS+N Steel grade or Strenx™ 700E (MC700) and with last tech synergic automatic welding machines are using on our production.

AXLE : 3 x9 Tons or 3 x 12 Tons Capacity 17,5" Jumbo Axle, First Axle Lifiable, Last axle self steering.

LOADING RAMP : 2 x Hydraulic Ramp: moving outside 25 cm from outer of the lowbed, It's powered with and separate with power pack that connected to Truck battery

SUSPENSION SYSTEM : Air Suspension System
TIRES AND RIMS : 235/65 R17.5" or 245/70 R17.5" size 12 units tubeless tires

ELECTRICAL SYSTEM : Dynamic LED Light 24V electrical system
 4 x Red+White Expanding to Sides Heavy Loading Reflectors: Front and Back side
 6 x Led Working Lamps on right and left side and back side, 1 Emergency Turning Lamp

BRAKE EQUIPMENT : 4S-3M Knorr or Wabco Brand EBS system to be fitted on trailers
KING PIN : DIN 74080 standards 2" or 3,5" king pin detachable from below made by SAE standards E certificate. (Extra one more spare part)

PARKING LEGS : Front Jack feet are telescopic, parallel working, double speed jointed with wide shoes static 50 tons, dynamic 25 tons capacity. Manual or Hydraulic Supporter Landing Legs on rear under chassis for loadings

PAINT and COLOR:
First Step : Sand Blasting all surface
First Layer : Barrier™ 80 (%80 Zinc-Reach) Coating Double Times - C5 (ISO 12944-2)
Second Layer : Epoxy Coating
Third Layer : Brand Premium Acrylic Paint
Fourth Layer : 2K Super Clear Coating for Protection and Shine (95-110 GU) 60 Degree
 Color of the trailer will be RAL.....
 On platform anti slip painting

ACCESSORIES & OPTIONS:
 Control Panel for lights and suspension
 2 x 7 Widening Brackets, 2 x Bike safety bar, Gooseneck completely with chequered steel,
 14 x 10 tons chain rings, 14 x Chain Rings On Platform Sides, 1 Tool box on the gooseneck, 1 Toolbox On Right, 1 Toolbox on Left Side, Beech Tree Wood on platform, 45 Degrees on Gooseneck Corner , Galvanized Small Parts, Anti-Spray Mudguards, 2 x Wheel Wedges

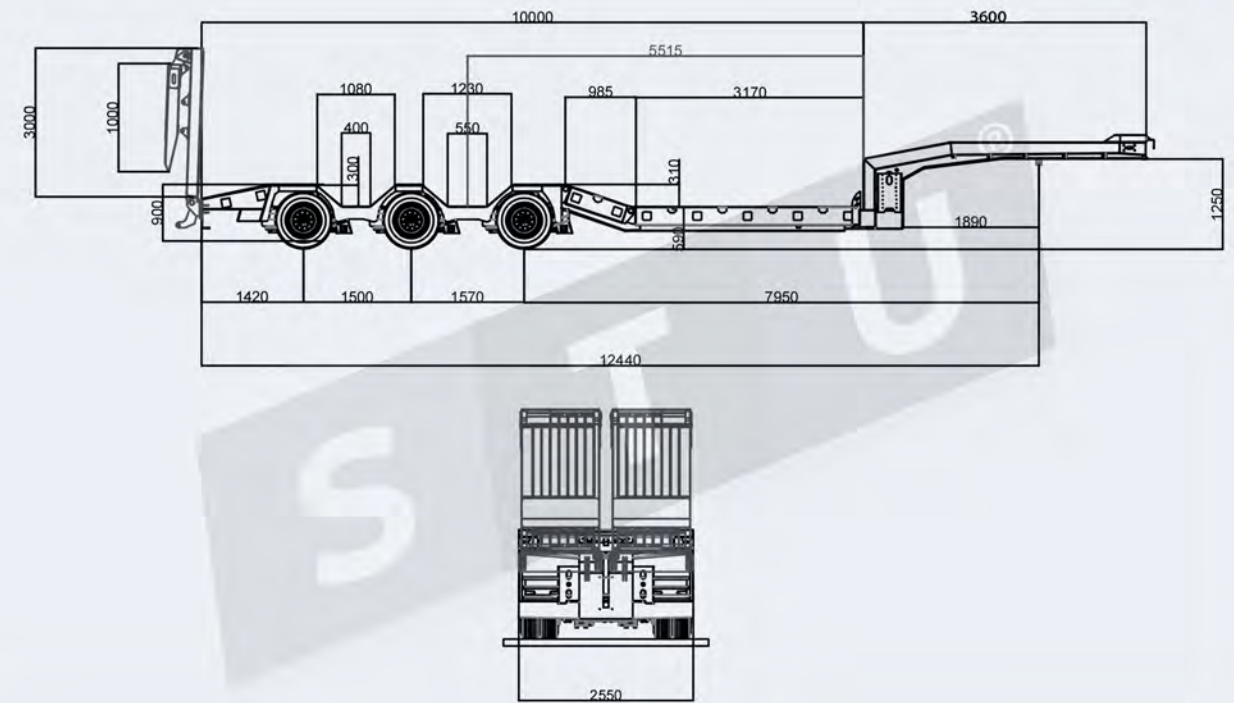
DETAIL PICTURES



3 AXLE FORESTRY LOWBED



TECHNICAL DRAWING



SPECIFICATIONS

CHASSIS and STRUCTURE : S355JS+N Steel grade or Strenx™ 700E (MC700) and with last tech synergic automatic welding machines are using on our production.

AXLE : 3 x 9 Tons or 3 x 12 Tons Capacity 17,5" Jumbo Axle, First Axle Liftable, Last axle self steering.

LOADING RAMP : 2 x Hydraulic Ramp: moving outside 25 cm from outer of the lowbed, It's powered with and separate with power pack that connected to Truck battery

SUSPENSION SYSTEM : Air Suspension System

TIRES AND RIMS : 235/65 R17.5" or 245/70 R17.5" size 12 units tubeless tires

ELECTRICAL SYSTEM : Dynamic LED Light 24V electrical system

4 x Red+White Expanding to Sides Heavy Loading Reflectors: Front and Back side
6 x Led Working Lamps on right and left side and back side, 1 Emergency Turning Lamp

BRAKE EQUIPMENT : 4S-3M Knorr or Wabco Brand EBS system to be fitted on trailers

KING PIN : DIN 74080 standards 2" or 3,5" king pin detachable from below made by SAE standards E certificate. (Extra one more spare part)

PARKING LEGS : Front Jack feet are telescopic, parallel working, double speed jointed with wide shoes static 50 tons, dynamic 25 tons capacity. Manual or Hydraulic Supporter Landing Legs on rear under chassis for loadings

PAINT and COLOR:

First Step : Sand Blasting all surface

First Layer : Barrier™ 80 (%80 Zinc-Reach) Coating Double Times - C5 (ISO 12944-2)

Second Layer : Epoxy Coating

Third Layer : Brand Premium Acrylic Paint

Fourth Layer : 2K Super Clear Coating for Protection and Shine (95-110 GU) 60 Degree

Color of the trailer will be RAL.....

On platform anti slip painting

ACCESSORIES & OPTIONS:

Control Panel for lights and suspension

2 x 7 Widening Brackets, 2 x Bike safety bar, Gooseneck completely with chequered steel, 14 x 10 tons chain rings, 14 x Chain Rings On Platform Sides, 1 Tool box on the gooseneck, 1 Toolbox On Right, 1 Toolbox on Left Side, Beech Tree Wood on platform, 45 Degrees on Gooseneck Corner , Galvanized Small Parts, Anti-Spray Mudguards, 2 x Wheel Wedges

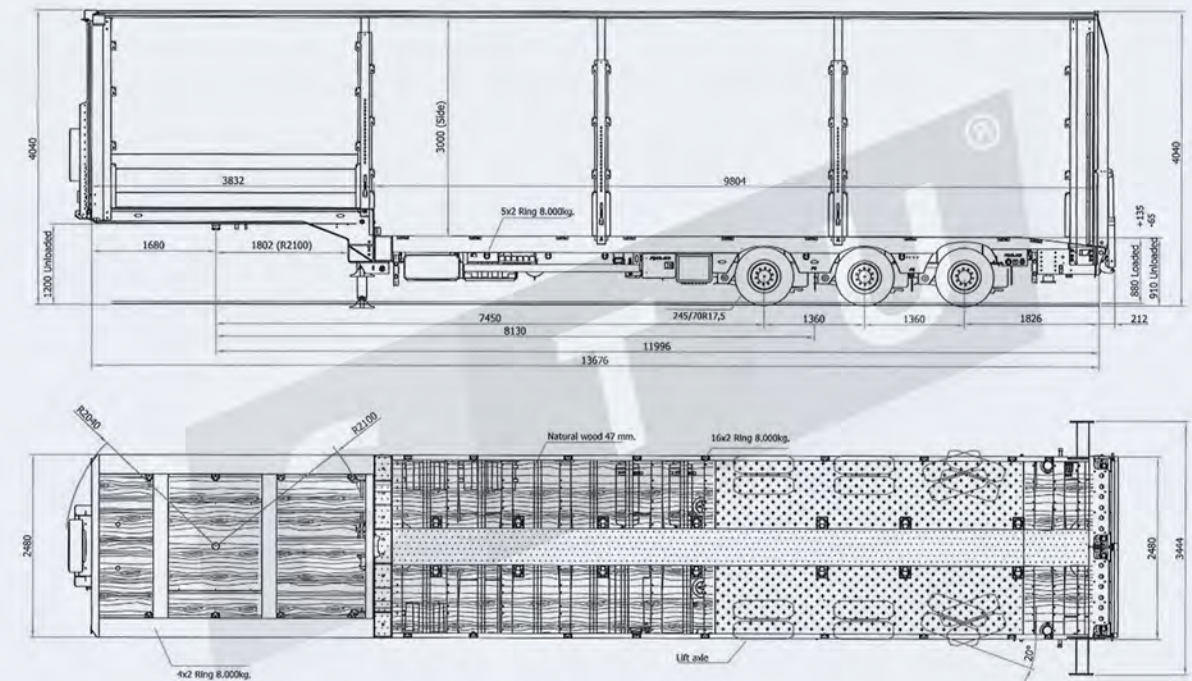
DETAIL PICTURES



3 AXLE WITH CURTAINSIDER LOWBED



TECHNICAL DRAWING



SPECIFICATIONS

CHASSIS and STRUCTURE : S355JS+N Steel grade or Strenx™ 700E (MC700) and with last tech synergic automatic welding machines are using on our production.

AXLE : 3 x9 Tons or 3 x 12 Tons Capacity 17,5" Jumbo Axle, First Axle Lifiable, Last axle self steering.

LOADING RAMP : 2 x Hydraulic Ramp: moving outside 25 cm from outer of the lowbed, It's powered with and separate with power pack that connected to Truck battery

SUSPENSION SYSTEM : Air Suspension System or mechanic leaf spring suspensions.
TIRES AND RIMS : 235/65 R17.5" or 245/70 R17.5" size 12 units tubeless tires

ELECTRICAL SYSTEM : Dynamic LED Light 24V electrical system
4 x Red+White Expanding to Sides Heavy Loading Reflectors: Front and Back side
6 x Led Working Lamps on right and left side and back side, 1 Emergency Turning Lamp

BRAKE EQUIPMENT : 4S-3M Knorr or Wabco Brand EBS system to be fitted on trailers
KING PIN: DIN 74080 standards 2" or 3,5" king pin detachable from below made by SAE standards E certificate. (Extra one more spare part)

PARKING LEGS : Front Jack feet are telescopic, parallel working, double speed jointed with wide shoes static 50 tons, dynamic 25 tons capacity. Manual or Hydraulic Supporter Landing Legs on rear under chassis for loadings

PAINT and COLOR:

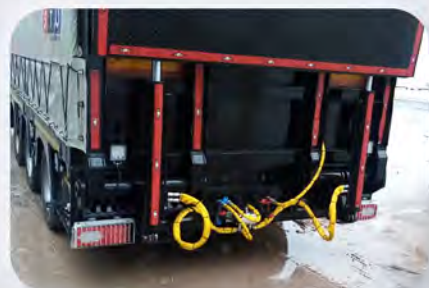
First Step : Sand Blasting all surface
First Layer : Barrier™ 80 (%80 Zinc-Reach) Coating Double Times - C5 (ISO 12944-2)
Second Layer : Epoxy Coating
Third Layer : Brand Premium Acrylic Paint
Fourth Layer : 2K Super Clear Coating for Protection and Shine (95-110 GU) 60 Degree
Color of the trailer will be RAL.....
On platform anti slip painting

Custainsider / Tent : On Platform completely closing a tent which is suitable with EU standards and moving slightly for closed loads.

ACCESSORIES & OPTIONS:

Control Panel for lights and suspension
2 x 7 Widening Brackets, 2 x Bike safety bar, Gooseneck completely with chequered steel,
14 x 10 tons chain rings, 14 x Chain Rings On Platform Sides, 1 Tool box on the gooseneck, 1 Toolbox On Right, 1 Toolbox on Left Side, Beech Tree Wood on platform, 45 Degrees on Gooseneck Corner , Galvanized Small Parts, Anti-Spray Mudguards, 2 x Wheel Wedges

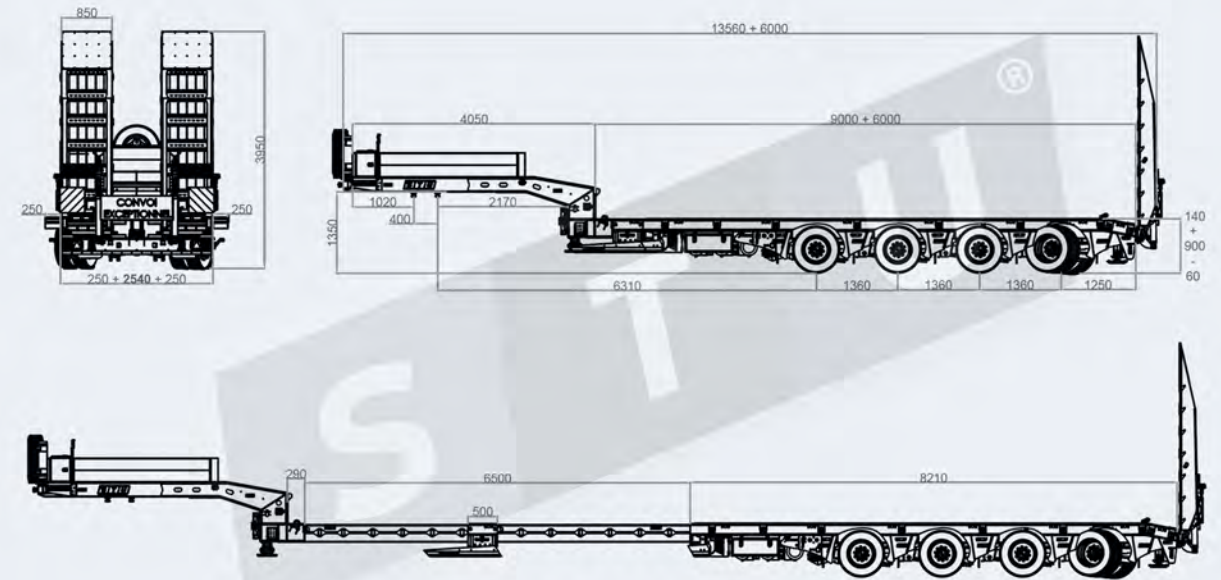
DETAIL PICTURES



4 AXLE EXTENDABLE LOWBED



TECHNICAL DRAWING



SPECIFICATIONS

CHASSIS and STRUCTURE : S355JS+N Steel grade or Strenx™ 700E (MC700) and with last tech synergic automatic welding machines are using on our production. Extension will be 6 meter with movable 500mm saddle and every 500 mm there will be locking point. Extensions made with Strenx 700MC steel grade.

AXLE : 4x9 Tons or 4x12 Tons Capacity 17,5" Jumbo Axle, First Axle Lifiable, Last axle self steering.

LOADING RAMP : 2 x Hydraulic Ramp: moving outside 25 cm from outer of the lowbed, It's powered with and separate with power pack that connected to Truck battery

SUSPENSION SYSTEM : Air Suspension System or mechanic leaf spring suspensions.
TIRES AND RIMS : 235/65 R17.5" or 245/70 R17.5" size 16 units tubeless tires

ELECTRICAL SYSTEM : Dynamic LED Light 24V electrical system
 4 x Red+White Expanding to Sides Heavy Loading Reflectors: Front and Back side
 6 x Led Working Lamps on right and left side and back side, 1 Emergency Turning Lamp

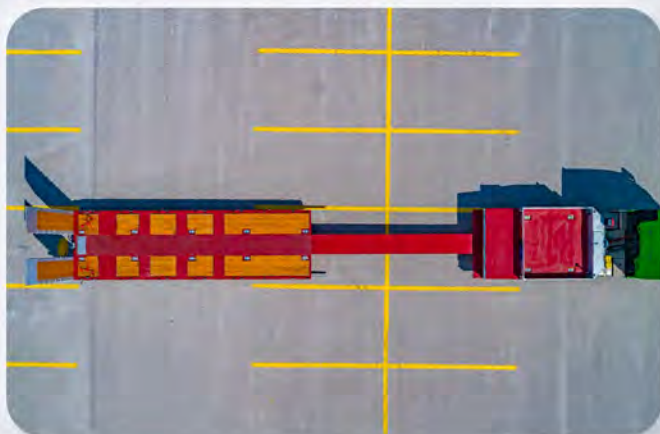
BRAKE EQUIPMENT : 4S-3M Knorr or Wabco Brand EBS system to be fitted on trailers
KING PIN: DIN 74080 standards 2" or 3,5" king pin detachable from below made by SAE standards E certificate. (Extra one more spare part)

PARKING LEGS: Front Jack feet are telescopic, parallel working, double speed jointed with wide shoes static 50 tons, dynamic 25 tons capacity. Manual or Hydraulic Supporter Landing Legs on rear under chassis for loadings

PAINT and COLOR:
First Step : Sand Blasting all surface
First Layer : Barrier™ 80 (%80 Zinc-Reach) Coating Double Times - C5 (ISO 12944-2)
Second Layer : Epoxy Coating
Third Layer : Brand Premium Acrylic Paint
Fourth Layer : 2K Super Clear Coating for Protection and Shine (95-110 GU) 60 Degree
 Color of the trailer will be RAL.....
 On platform anti slip painting

ACCESSORIES & OPTIONS:
 Control Panel for lights and suspension
 2 x 7 Widening Brackets, 2 x Bike safety bar, Gooseneck completely with chequered steel,
 14 x 10 tons chain rings, 14 x Chain Rings On Platform Sides, 1 Tool box on the gooseneck, 1 Toolbox On Right, 1 Toolbox on Left Side, Beech Tree Wood on platform, 45 Degrees on Gooseneck Corner , Galvanized Small Parts, Anti-Spray Mudguards, 2 x Wheel Wedges

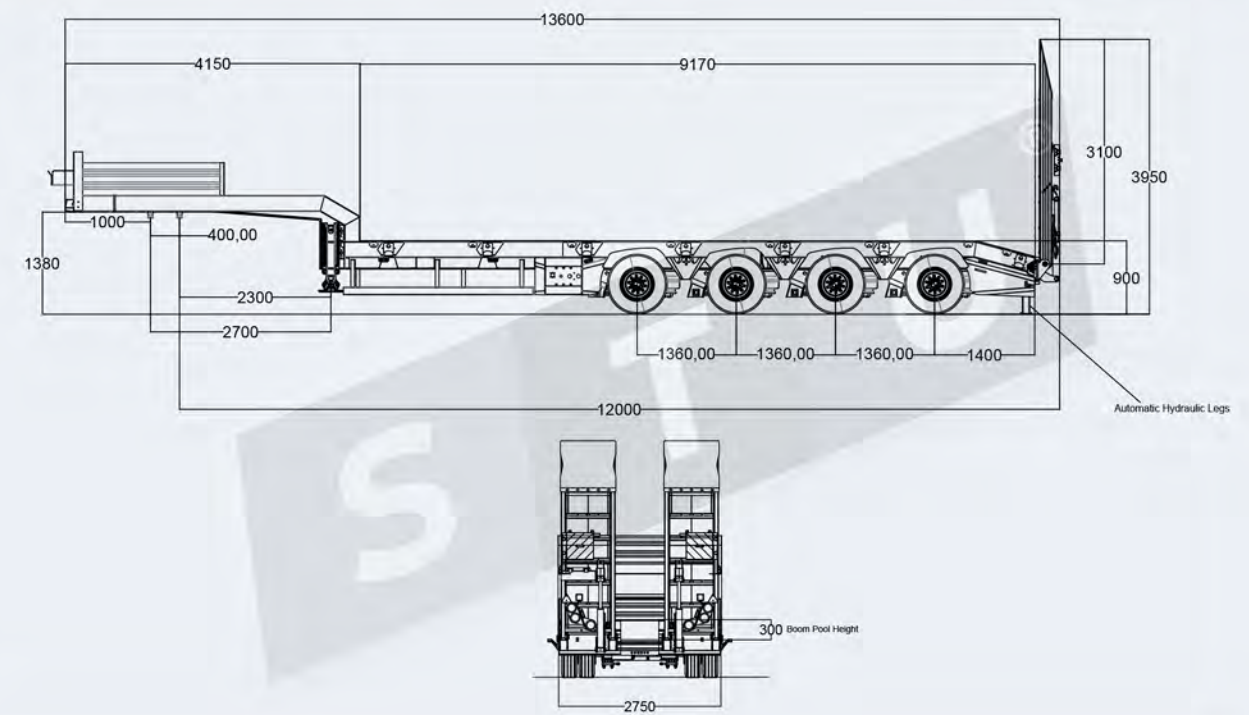
DETAIL PICTURES



4 AXLE LOWBED



TECHNICAL DRAWING



SPECIFICATIONS

CHASSIS and STRUCTURE : S355JS+N Steel grade or Strenx™ 700E (MC700) and with last tech synergic automatic welding machines are using on our production.

AXLE : 4x12 Tons Capacity 17,5" Jumbo Axle, First Axle Lifiable, Last axle self steering.

LOADING RAMP : 2 x Hydraulic Ramp: moving outside 25 cm from outer of the lowbed, It's powered with and separate with power pack that connected to Truck battery

SUSPENSION SYSTEM : Air Suspension System or mechanic leaf spring suspensions.
TIRES AND RIMS : 235/65 R17.5" or 245/70 R17.5" size 16 units tubeless tires

ELECTRICAL SYSTEM : Dynamic LED Light 24V electrical system
4 x Red+White Expanding to Sides Heavy Loading Reflectors: Front and Back side
6 x Led Working Lamps on right and left side and back side, 1 Emergency Turning Lamp

BRAKE EQUIPMENT : 4S-3M Knorr or Wabco Brand EBS system to be fitted on trailers
KING PIN: DIN 74080 standards 2" or 3,5" king pin detachable from below made by SAE standards E certificate. (Extra one more spare part)

PARKING LEGS : Front Jack feet are telescopic, parallel working, double speed jointed with wide shoes static 50 tons, dynamic 25 tons capacity. Manual or Hydraulic Supporter Landing Legs on rear under chassis for loadings

PAINT and COLOR:
First Step : Sand Blasting all surface
First Layer : Barrier™ 80 (%80 Zinc-Reach) Coating Double Times - C5 (ISO 12944-2)
Second Layer : Epoxy Coating
Third Layer : Brand Premium Acrylic Paint
Fourth Layer : 2K Super Clear Coating for Protection and Shine (95-110 GU) 60 Degree
Color of the trailer will be RAL.....
On platform anti slip painting

ACCESSORIES & OPTIONS: Control Panel for lights and suspension, 2 x 7 Widening Brackets, 2 x Bike safety bar, Gooseneck completely with chequered steel, 14 x 10 tons chain rings, 14 x Chain Rings On Platform Sides, 1 Tool box on the gooseneck, 1 Toolbox On Right, 1 Toolbox on Left Side, Beech Tree Wood on platform, 45 Degrees on Gooseneck Corner, Galvanized Small Parts, Anti-Spray Mudguards, 2 x Wheel Wedges, Remote control hydraulic ramps and hydraulic landing gears

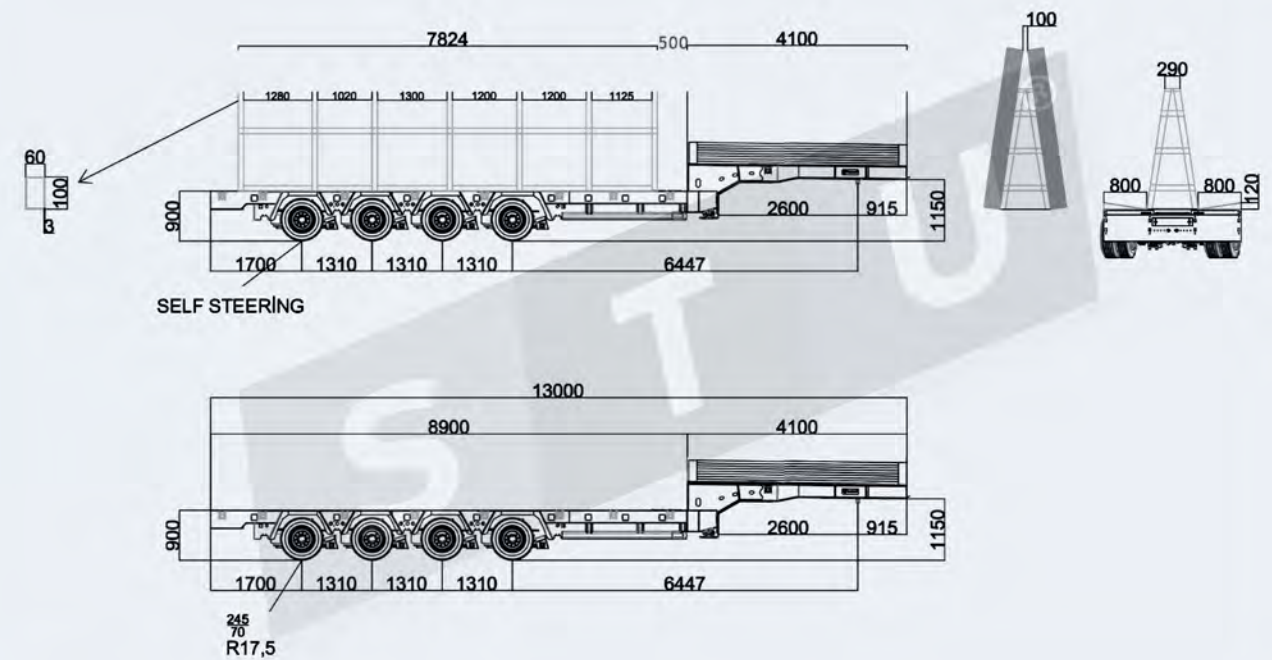
DETAIL PICTURES



WITH SUPERSTRUCTURE 4 AXLE LOWBED



TECHNICAL DRAWING



SELF STEERING

SPECIFICATIONS

CHASSIS and STRUCTURE : S355JS+N Steel grade or Strenx™ 700E (MC700) and with last tech synergic automatic welding machines are using on our production.

AXLE : 4x12 Tons Capacity 17,5" Jumbo Axle, First Axle Lifiable, Last axle self steering.

LOADING RAMP : 2 x Hydraulic Ramp: moving outside 25 cm from outer of the lowbed, It's powered with and separate with power pack that connected to Truck battery

SUSPENSION SYSTEM : Air Suspension System or mechanic leaf spring suspensions.
TIRES AND RIMS : 235/65 R17.5" or 245/70 R17.5" size 16 units tubeless tires

ELECTRICAL SYSTEM : Dynamic LED Light 24V electrical system
4 x Red+White Expanding to Sides Heavy Loading Reflectors: Front and Back side
6 x Led Working Lamps on right and left side and back side, 1 Emergency Turning Lamp

BRAKE EQUIPMENT : 4S-3M Knorr or Wabco Brand EBS system to be fitted on trailers
KING PIN: DIN 74080 standards 2" or 3,5" king pin detachable from below made by SAE standards E certificate. (Extra one more spare part)

PARKING LEGS : Front Jack feet are telescopic, parallel working, double speed jointed with wide shoes static 50 tons, dynamic 25 tons capacity. Manual or Hydraulic Supporter Landing Legs on rear under chassis for loadings

PAINT and COLOR:
First Step : Sand Blasting all surface
First Layer : Barrier™ 80 (%80 Zinc-Reach) Coating Double Times - C5 (ISO 12944-2)
Second Layer : Epoxy Coating
Third Layer : Brand Premium Acrylic Paint
Fourth Layer : 2K Super Clear Coating for Protection and Shine (95-110 GU) 60 Degree
Color of the trailer will be RAL.....
On platform anti slip painting

ACCESSORIES & OPTIONS: Control Panel for lights and suspension, 2 x 7 Widening Brackets, 2 x Bike safety bar, Gooseneck completely with chequered steel, 14 x 10 tons chain rings, 14 x Chain Rings On Platform Sides, 1 Tool box on the gooseneck, 1 Toolbox On Right, 1 Toolbox on Left Side, Beech Tree Wood on platform, 45 Degrees on Gooseneck Corner, Galvanized Small Parts, Anti-Spray Mudguards, 2 x Wheel Wedges, Remote control hydraulic ramps and hydraulic landing gears, Steel Superstructure for beton or glass loading in safe and transporting

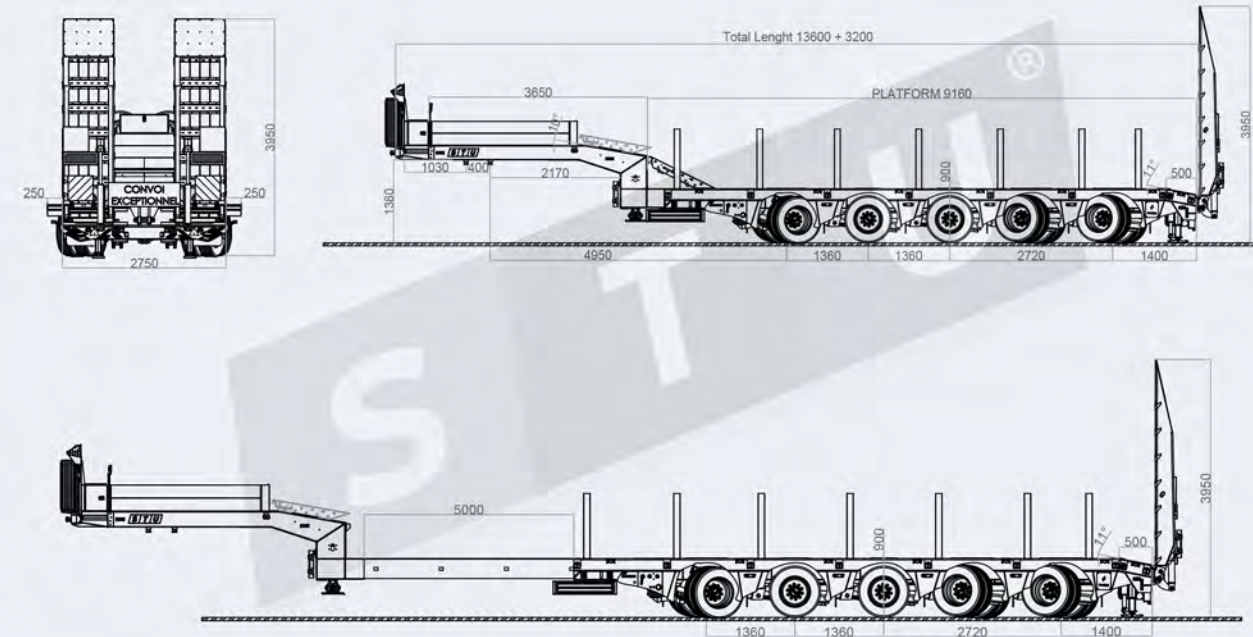
DETAIL PICTURES



WITH 3 SELF STEERING AXLE 5 AXLE LOWBED



TECHNICAL DRAWING



SPECIFICATIONS

CHASSIS and STRUCTURE : S355JS+N Steel grade or Strenx™ 700E (MC700) and with last tech synergic automatic welding machines are using on our production.

AXLE : 5x12 Tons Capacity 17,5" Jumbo Axle, First Axle Lifiable, 1st., 4th. and 5th axle self steering

LOADING RAMP : 2 x Hydraulic Ramp: moving outside 25 cm from outer of the lowbed, It's powered with and separate with power pack that connected to Truck battery

SUSPENSION SYSTEM : Air Suspension System or mechanic leaf spring suspensions.
TIRES AND RIMS : 235/65 R17.5" or 245/70 R17.5" size 20 units tubeless tires

ELECTRICAL SYSTEM : Dynamic LED Light 24V electrical system
4 x Red+White Expanding to Sides Heavy Loading Reflectors: Front and Back side
6 x Led Working Lamps on right and left side and back side, 1 Emergency Turning Lamp

BRAKE EQUIPMENT : 4S-3M Knorr or Wabco Brand EBS system to be fitted on trailers
KING PIN: DIN 74080 standards 2" or 3,5" king pin detachable from below made by SAE standards E certificate. (Extra one more spare part)

PARKING LEGS : Front Jack feet are telescopic, parallel working, double speed jointed with wide shoes static 50 tons, dynamic 25 tons capacity. Manual or Hydraulic Supporter Landing Legs on rear under chassis for loadings

PAINT and COLOR:
First Step : Sand Blasting all surface
First Layer : Barrier™ 80 (%80 Zinc-Reach) Coating Double Times - C5 (ISO 12944-2)
Second Layer : Epoxy Coating
Third Layer : Brand Premium Acrylic Paint
Fourth Layer : 2K Super Clear Coating for Protection and Shine (95-110 GU) 60 Degree
Color of the trailer will be RAL.....
On platform anti slip painting

ACCESSORIES & OPTIONS: Control Panel for lights and suspension, 2 x Widening Brackets, 2 x Bike safety bar, Gooseneck completely with chequered steel, 14 x 10 tons chain rings, 14 x Chain Rings On Platform Sides, 1 Tool box on the gooseneck, 1 Toolbox On Right, 1 Toolbox on Left Side, Beech Tree Wood on platform, 45 Degrees on Gooseneck Corner, Galvanized Small Parts, Anti-Spray Mudguards, 2 x Wheel Wedges, Remote control hydraulic ramps and hydraulic landing gears, Steel Superstructure for beton or glass loading in safe and transporting

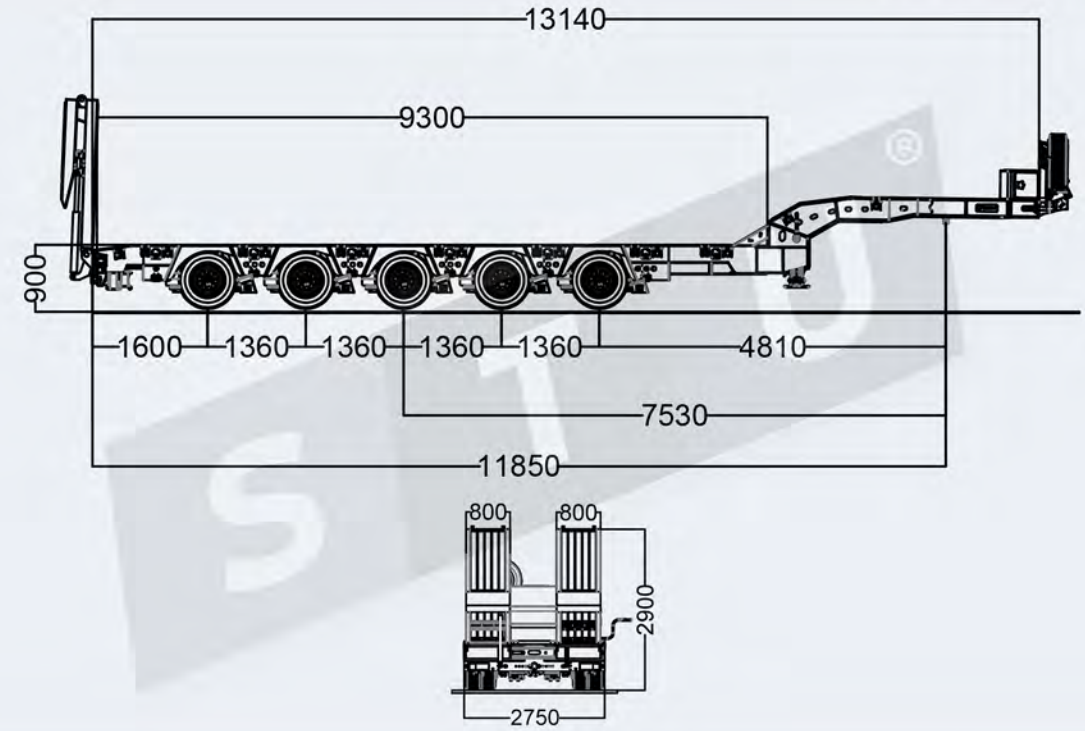
DETAIL PICTURES



5 AXLE MECHANIC SUSPENSION LOWBED



TECHNICAL DRAWING



SPECIFICATIONS

CHASSIS and STRUCTURE : S355JS+N Steel grade or Strenx™ 700E (MC700) and with last tech synergic automatic welding machines are using on our production.

AXLE : 5x12 Tons Capacity 17,5" Jumbo Axle, First Axle Lifiable, Last axle self steering with mechanic suspension

LOADING RAMP : 2 x Hydraulic Ramp: moving outside 25 cm from outer of the lowbed, It's powered with and separate with power pack that connected to Truck battery

SUSPENSION SYSTEM : Air Suspension System or mechanic leaf spring suspensions.
TIRES AND RIMS : 235/65 R17.5" or 245/70 R17.5" size 20 units tubeless tires

ELECTRICAL SYSTEM : Dynamic LED Light 24V electrical system
4 x Red+White Expanding to Sides Heavy Loading Reflectors: Front and Back side
6 x Led Working Lamps on right and left side and back side, 1 Emergency Turning Lamp

BRAKE EQUIPMENT : 4S-3M Knorr or Wabco Brand EBS system to be fitted on trailers
KING PIN: DIN 74080 standards 2" or 3,5" king pin detachable from below made by SAE standards E certificate. (Extra one more spare part)

PARKING LEGS : Front Jack feet are telescopic, parallel working, double speed jointed with wide shoes static 50 tons, dynamic 25 tons capacity. Manual or Hydraulic Supporter Landing Legs on rear under chassis for loadings

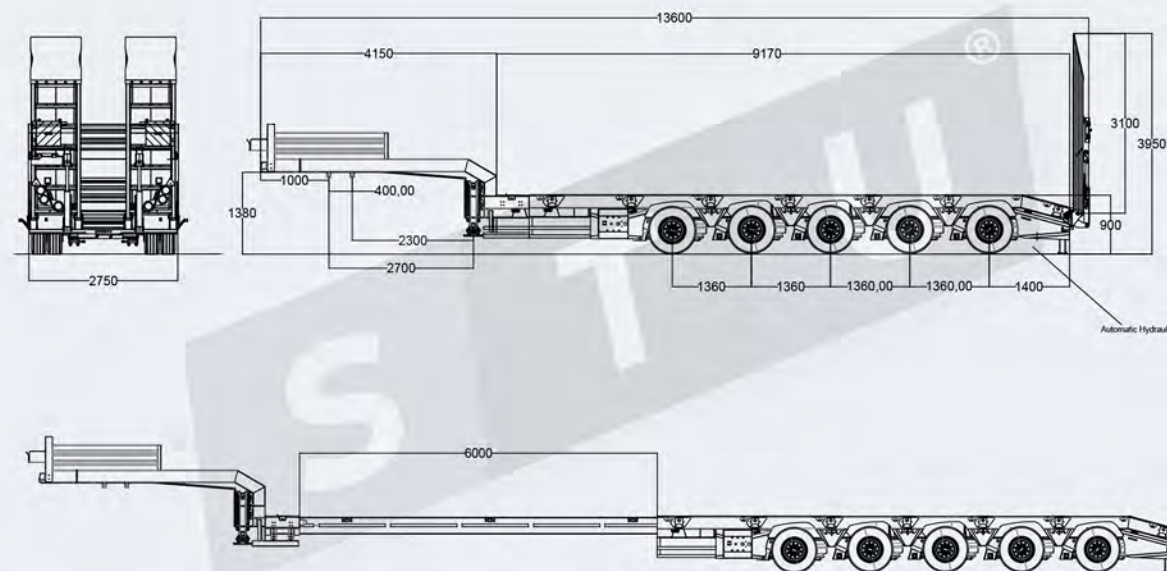
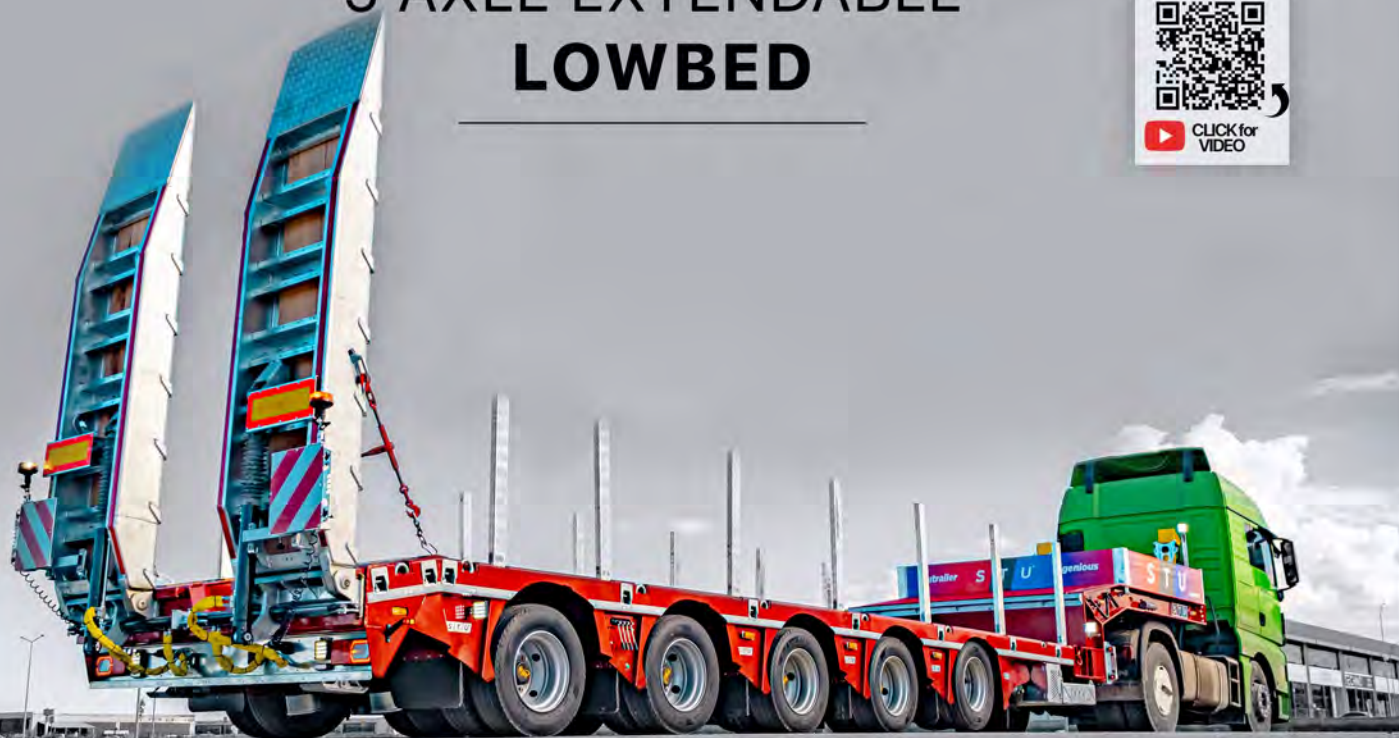
PAINT and COLOR:
First Step : Sand Blasting all surface
First Layer : Barrier™ 80 (%80 Zinc-Reach) Coating Double Times - C5 (ISO 12944-2)
Second Layer : Epoxy Coating
Third Layer : Brand Premium Acrylic Paint
Fourth Layer : 2K Super Clear Coating for Protection and Shine (95-110 GU) 60 Degree
Color of the trailer will be RAL.....
On platform anti slip painting

ACCESSORIES & OPTIONS: Control Panel for lights and suspension, 2 x 7 Widening Brackets, 2 x Bike safety bar, Gooseneck completely with chequered steel, 14 x 10 tons chain rings, 14 x Chain Rings On Platform Sides, 1 Tool box on the gooseneck, 1 Toolbox On Right, 1 Toolbox on Left Side, Beech Tree Wood on platform, 45 Degrees on Gooseneck Corner, Galvanized Small Parts, Anti-Spray Mudguards, 2 x Wheel Wedges, Remote control hydraulic ramps and hydraulic landing gears, Steel Superstructure for beton or glass loading in safe and transporting

DETAIL PICTURES



5 AXLE EXTENDABLE LOWBED



SPECIFICATIONS

CHASSIS and STRUCTURE : S355JS+N Steel grade or Strenx™ 700E (MC700) and with last tech synergic automatic welding machines are using on our production.

AXLE : 5x12 Tons Capacity 17,5" Jumbo Axle, First Axle Lifiable, Last axle self steering.

LOADING RAMP : 2 x Hydraulic Ramp: moving outside 25 cm from outer of the lowbed, It's powered with and separate with power pack that connected to Truck battery

SUSPENSION SYSTEM : Air Suspension System or mechanic leaf spring suspensions.

TIRES AND RIMS : 235/65 R17.5" or 245/70 R17.5" size 20 units tubeless tires

ELECTRICAL SYSTEM : Dynamic LED Light 24V electrical system
 4 x Red+White Expanding to Sides Heavy Loading Reflectors: Front and Back side
 6 x Led Working Lamps on right and left side and back side, 1 Emergency Turning Lamp

BRAKE EQUIPMENT : 4S-3M Knorr or Wabco Brand EBS system to be fitted on trailers

KING PIN : DIN 74080 standards 2" or 3,5" king pin detachable from below made by SAE standards E certificate. (Extra one more spare part)

PARKING LEGS : Front Jack feet are telescopic, parallel working, double speed jointed with wide shoes static 50 tons, dynamic 25 tons capacity. Manual or Hydraulic Supporter Landing Legs on rear under chassis for loadings

PAINT and COLOR:

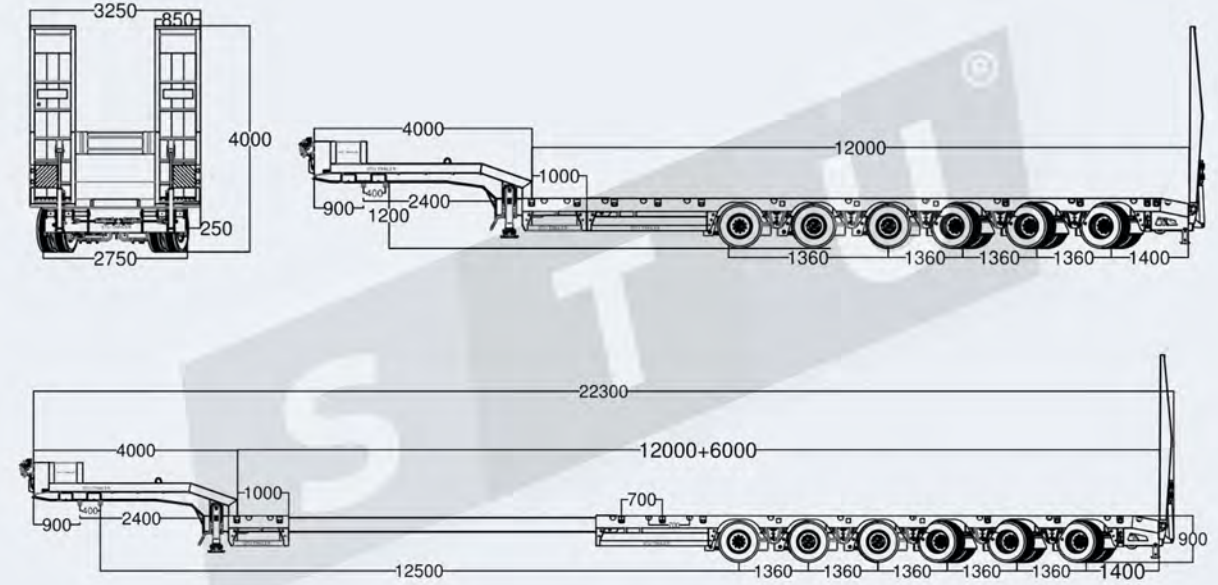
- First Step** : Sand Blasting all surface
 - First Layer** : Barrier™ 80 (%80 Zinc-Reach) Coating Double Times - C5 (ISO 12944-2)
 - Second Layer** : Epoxy Coating
 - Third Layer** : Brand Premium Acrylic Paint
 - Fourth Layer** : 2K Super Clear Coating for Protection and Shine (95-110 GU) 60 Degree
- Color of the trailer will be RAL.....
 On platform anti slip painting

ACCESSORIES & OPTIONS: Control Panel for lights and suspension, 2 x 7 Widening Brackets, 2 x Bike safety bar, Gooseneck completely with chequered steel, 14 x 10 tons chain rings, 14 x Chain Rings On Platform Sides, 1 Tool box on the gooseneck, 1 Toolbox On Right, 1 Toolbox on Left Side, Beech Tree Wood on platform, 45 Degrees on Gooseneck Corner, Galvanized Small Parts, Anti-Spray Mudguards, 2 x Wheel Wedges, Remote control hydraulic ramps and hydraulic landing gears, Steel Superstructure for beton or glass loading in safe and transporting

DETAIL PICTURES



6 AXLE EXTENDABLE LOWBED



DETAIL PICTURES



SPECIFICATIONS

CHASSIS and STRUCTURE : S355JS+N Steel grade or Strenx™ 700E (MC700) and with last tech synergic automatic welding machines are using on our production.

AXLE : 6x12 Tons Capacity 17,5" Jumbo Axle, First Axle Lifiable, Last axle self steering.

LOADING RAMP : 2 x Hydraulic Ramp: moving outside 25 cm from outer of the lowbed, It's powered with and separate with power pack that connected to Truck battery

SUSPENSION SYSTEM : Air Suspension System or mechanic leaf spring suspensions.
TIRES AND RIMS : 235/65 R17.5" or 245/70 R17.5" size 24 units tubeless tires

ELECTRICAL SYSTEM : Dynamic LED Light 24V electrical system
4 x Red+White Expanding to Sides Heavy Loading Reflectors: Front and Back side
6 x Led Working Lamps on right and left side and back side, 1 Emergency Turning Lamp

BRAKE EQUIPMENT : 4S-3M Knorr or Wabco Brand EBS system to be fitted on trailers
KING PIN: DIN 74080 standards 2" or 3,5" king pin detachable from below made by SAE standards E certificate. (Extra one more spare part)

PARKING LEGS: Front Jack feet are telescopic, parallel working, double speed jointed with wide shoes static 50 tons, dynamic 25 tons capacity. Manual or Hydraulic Supporter Landing Legs on rear under chassis for loadings

PAINT and COLOR:
First Step : Sand Blasting all surface
First Layer : Barrier™ 80 (%80 Zinc-Reach) Coating Double Times - C5 (ISO 12944-2)
Second Layer : Epoxy Coating
Third Layer : Brand Premium Acrylic Paint
Fourth Layer : 2K Super Clear Coating for Protection and Shine (95-110 GU) 60 Degree
Color of the trailer will be RAL.....
On platform anti slip painting

ACCESSORIES & OPTIONS: Control Panel for lights and suspension, 2 x 7 Widening Brackets, 2 x Bike safety bar, Gooseneck completely with chequered steel, 14 x 10 tons chain rings, 14 x Chain Rings On Platform Sides, 1 Tool box on the gooseneck, 1 Toolbox On Right, 1 Toolbox on Left Side, Beech Tree Wood on platform, 45 Degrees on Gooseneck Corner, Galvanized Small Parts, Anti-Spray Mudguards, 2 x Wheel Wedges, Remote control hydraulic ramps and hydraulic landing gears, Steel Superstructure for beton or glass loading in safe and transporting

STU Trailers® Company, LIMITED Is manufacturer of different kinds of lowbed and low loader / lowboy trailers in Turkey as an independent family company. We are experienced in production of lowloaders more than 15 years and exporting more than 35 countries in different size of lowloaders for heavy haulage / special transportation sectors. Regarding our customers usage habits and experience we always focus to make them satisfy and we desing our lowloaders on this aim. In different variants of load transportations as tall, wide, long and heavy we have solutions for transportation companies.

STU Trailers Co. started in a garage and firstly in the local market started to share it's services on second hand and new productions. Year by years by the demand of Export markets continued to give services to EU Countries, African Countries, Far East and South America Countries markets as keeping our traditional quality on our production and marketing steps. Our R&D center is always following new technologies in different diciplines how we adapt on our solutions to heavy transport and special project loads and defence sectors. As the experts for unique requirements, we are constantly expanding our portfolio of products, services, working intensively in the areas of product development and optimisation due to changing new production technologies progress and situations of new different size of loads. Today, our vehicles can be found on more than 35 countries in the world. Our COC certificates facilitated fast registration with minimal administrative effort. We hope you could be facinated to discover our comprehensive and versatile product portfolio!

We offer transport solutions for sectors; heavy transport, construction, agriculture, boat transport, forestry, wood, vertical transport, finished parts transport, wind power and energy and as well as public projects in the defence and aircraft industry with our designs on your special projects. Our customers value our reliability and flexibility in offering tailored transport solutions even in the face of difficult challenges. Indeed, We know our customers and their experiences on heavy transportations in diffucult challenges, so we always try to offer our vehicles projects excel with their technical quality and sustainable production methods.


In all photos of lowbed and lowladers produced for related customers's needs and orders. As you can reliese our tecnical team is focusing and aim to make happy owner of lowloaders and always keep in touch with users / drivers for their different habits for their technical needs. Always habits, road and heavy transport conditions are not same in whole world so, we try to offer the best solution that we can effort for their safety, long-life lowbeds. On lowlaoder hydraulic, electric and other components are completely designing by our experienced engineers and based on heavy haulages projects which is sharing by our valuable customers. Our designs are testing on analysis programs and before production we are able to understand how the loads will effect on new lowloader or lowbed steel construction after loaded on the roads and all designs are based on our experiences.

For correct maching of steel parts laser cut is indispensible to prepare steel construction for production of lowbeds / lowloaders projects. All process of welding has it's own steel grade and welding wires peculiar to its steel grade. Meanwhile using non standard equipments for cutting, curving, bending, welding steps which designed by our valuable engineers. STU Trailers®keep it's rights to change drawing, designs, prices and other components which are exist on the web page and in their offers. All rights reserved. Used under license and no one can copy, share with 3rd parties with or without STU Trailers permissions.

About Us




Contact

 Fevzi Cakmak Mahallesi, 10664. Sokak,
No:30-1 Karatay / Konya / TURKEY

 +90 541 336 63 77
+90 555 057 72 77

 stustrailers@gmail.com
sales@stustrailer.com

 www.stustrailer.com / www.stustrailers.com

   /STUTrailers